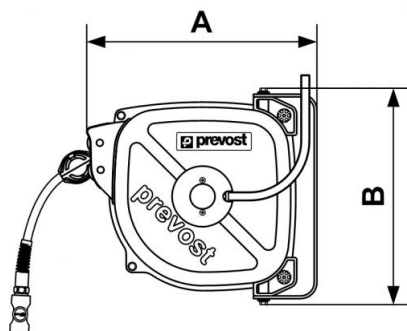


Série DRFB - SECURITE : Enrouleurs à retour contrôlé - Tuyau PU/PVC



| Description | | | | | | |
|------------------------|---------------------|-----------|---------|---------------|---------------------|------------|
| Référence | Ø int./ext. (mm) | Long. (m) | Raccord | Débit (l/min) | Entrée fixe (mm) | Poids (kg) |
| DRFB 0812IS | 8 x 12 | 12 | ISI 06 | 500 | 8 x 12 | 6 |
| DRFB 0815IS | 8 x 12 | 15 | ISI 06 | 350 | 8 x 12 | 7 |
| DRFB 1010IS | 10 x 14 | 10 | ISI 06 | 833 | 10 x 14 | 5,7 |
| DRFB 1012IS | 10 x 14 | 12 | ISI 06 | 800 | 10 x 14 | 6,8 |
| DRFB 0812CS | 8 x 12 | 12 | CSI 06 | 500 | 8 x 12 | 6 |

| Référence | Ø int./ext. (mm) | Long. (m) | Raccord | Débit (l/min) | Entrée fixe (mm) | Poids (kg) |
|------------------------|---------------------|-----------|---------|---------------|---------------------|------------|
| DRFB 0815CS | 8 x 12 | 15 | CSI 06 | 350 | 8 x 12 | 7 |
| DRFB 1010CS | 10 x 14 | 10 | CSI 06 | 833 | 10 x 14 | 5,7 |
| DRFB 1012CS | 10 x 14 | 12 | CSI 06 | 800 | 10 x 14 | 6,8 |
| DRFB 0812ES | 8 x 12 | 12 | ESI 07 | 500 | 8 x 12 | 6 |
| DRFB 0815ES | 8 x 12 | 15 | ESI 07 | 350 | 8 x 12 | 7 |
| DRFB 1010ES | 10 x 14 | 10 | ESI 07 | 900 | 10 x 14 | 5,7 |
| DRFB 1012ES | 10 x 14 | 12 | ESI 07 | 800 | 10 x 14 | 6,8 |
| DRFB 0812AS | 8 x 12 | 12 | ASI 06 | 500 | 8 x 12 | 6 |
| DRFB 0815AS | 8 x 12 | 15 | ASI 06 | 350 | 8 x 12 | 7 |
| DRFB 1012AS | 10 x 14 | 12 | ASI 06 | 800 | 10 x 14 | 6,8 |
| DRFB 1010AS | 10 x 14 | 10 | ASI 06 | 800 | 10 x 14 | 5,7 |



Dimensions

| Référence | A mm | B mm |
|-------------|------|------|
| DRFB 0812IS | 340 | 302 |
| DRFB 0815IS | 370 | 337 |
| DRFB 1010IS | 340 | 302 |
| DRFB 1012IS | 370 | 337 |
| DRFB 0812CS | 340 | 302 |
| DRFB 0815CS | 370 | 337 |
| DRFB 1010CS | 340 | 302 |
| DRFB 1012CS | 370 | 337 |
| DRFB 0812ES | 340 | 302 |
| DRFB 0815ES | 370 | 337 |
| DRFB 1010ES | 340 | 302 |
| DRFB 1012ES | 370 | 337 |
| DRFB 0812AS | 340 | 302 |
| DRFB 0815AS | 370 | 337 |
| DRFB 1012AS | 370 | 337 |
| DRFB 1010AS | 340 | 302 |